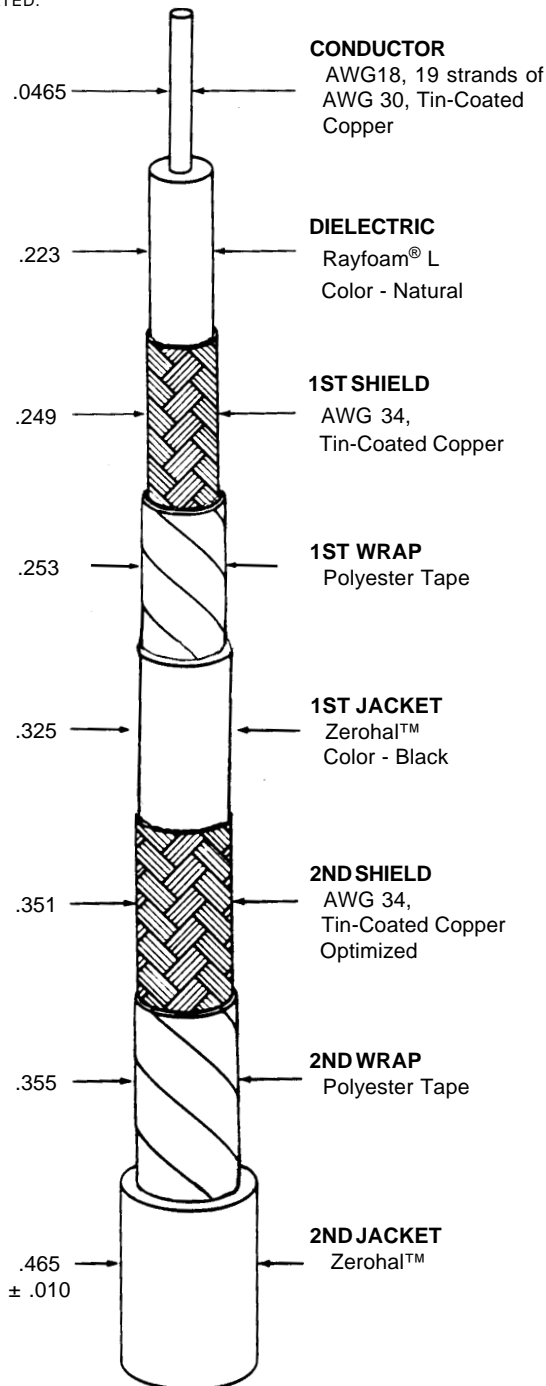


THIS SPECIFICATION SHEET FORMS A PART OF THE LATEST ISSUE OF RAYCHEM SPECIFICATION 1200.

CONSTRUCTION DETAILS

ELECTRICAL CHARACTERISTICS

DIMENSIONS ARE NOMINAL VALUES IN INCHES UNLESS OTHERWISE DESIGNATED.



CHARACTERISTIC IMPEDANCE	75 ± 3 ohms, Method B
CAPACITANCE	17.9 pF/ft. (nominal)
VELOCITY OF PROPAGATION	76% (nominal)
SURFACE TRANSFER IMPEDANCE	700 milliohms/meter (maximum) at 0.1 MHz - 1 GHz
EMP RESPONSE	60 dB (minimum) for 1 meter
ATTENUATION	1.1 dB/100 ft. (maximum) at 10 MHz 2.9 dB/100 ft. (maximum) at 100 MHz 6.0 dB/100 ft. (maximum) at 400 MHz

ADDITIONAL REQUIREMENTS

<u>ELECTRICAL</u>	
CONDUCTOR RESISTANCE	6.23 ohms/1000 ft. (nominal)
INSULATION RESISTANCE (DIELECTRIC)	10,000 megohms (minimum)
JACKET FLAWS	
SPARK TEST	1.0 kV (rms)
IMPULSE TEST	6.0 kV (peak)
VOLTAGE WITHSTAND (DIELECTRIC)	
CONDUCTOR TO SHIELD	1000 volts (rms), (minimum)
SHIELD TO SHIELD	500 volts (rms), (minimum)
<u>ENVIRONMENTAL</u>	
FLAMMABILITY	Method B
HEAT SHOCK	225°C
LOW TEMPERATURE- COLD BEND	-30°C/12.00 inch mandrel
VOLTAGE WITHSTAND (POST ENVIRONMENTAL)	1000 volts (rms), 1 minute
<u>PHYSICAL</u>	
INSULATION (DIELECTRIC)	
ELONGATION	50% (minimum)
TENSILE STRENGTH	1000 lbf/in ² (minimum)
JACKET (EACH)	
ELONGATION	150% (minimum)
TENSILE STRENGTH	1200 lbf/in ² (minimum)
1ST JACKET THICKNESS	.036 inch (nominal)
2ND JACKET THICKNESS	.055 inch (nominal)
SHIELD COVERAGE (1ST)	85% (minimum)
WRAP (EACH)	.001 inch thick (nominal), 25% overlap (minimum)
WEIGHT	136. lbs/1000 ft. (nominal)

Outer jacket color will be black (designated by a "-0" appended to the part number, e.g. 7518A0811-0) unless otherwise specified.

Designate outer jacket color with a dash number in accordance with MIL-STD-681. Other codes and suffixes may be added to the part number, as necessary, to capture any additional requirements imposed by the purchase order.

Users should evaluate the suitability of this product for their application. Specifications are subject to change without notice.

Tyco Electronics also reserves the right to make changes in materials or processing, which do not affect compliance with any specification, without notification to Buyer.