

Fig. 1

**1. INTRODUCTION**

This instruction sheet covers the AMP Extraction Tool 91144-1 which is used for removing pin contacts from AMP Universal Audio Microphone Connectors. See Figure 1.

Carefully read these instructions before using the tool to ensure correct removal of the contacts.

**NOTE**

*All dimensions presented on this instruction sheet are in inches, unless otherwise stated.*

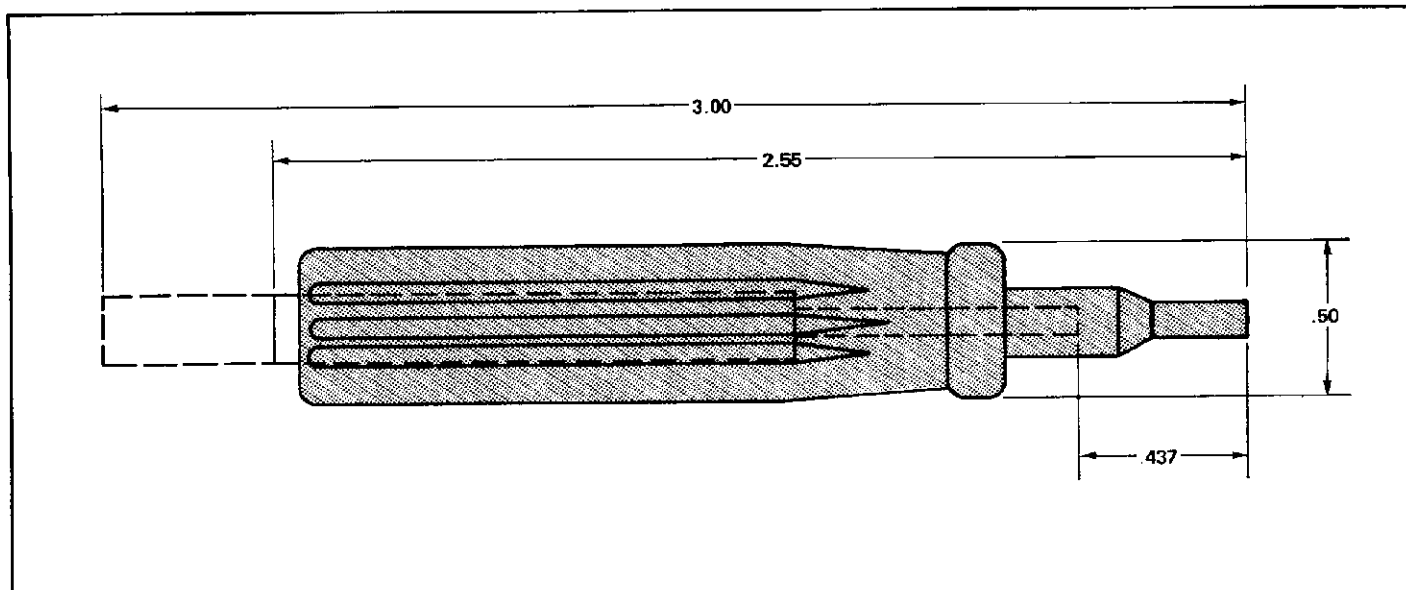
★ TRADEMARK OF AMP INCORPORATED

**2. DESCRIPTION**

The extraction tool consists of two plungers located at each end which are used to push the contact out of the connector.

The extraction tip, located at the front of the tool, fits over the pin contact. When the tip is bottomed in the contact cavity, the contact lances are forced together, allowing the contact to slide free from the connector after the rear plunger is depressed.

Copyright 1978 by AMP Incorporated, Harrisburg, Pa. All International Rights Reserved. AMP Incorporated products covered by U.S. and Foreign patents and/or patents pending.



EXTRACTION TOOL	PRODUCT DESIGNED FOR	ENGINEERING APPROVAL	DATE
91144-1	UNIVERSAL AUDIO MICROPHONE CONNECTOR	<i>R. L. Kautz</i>	9/14/78

Fig. 2

**3. EXTRACTION PROCEDURES (see Figure 1)**

1. Grasp the connector firmly with one hand while sliding the extraction tip over the pin contact.
2. Insert the tip until it bottoms in the contact cavity, causing the lances of the contact to close.
3. While holding the extraction tool with the other hand, depress FULLY the rear plunger, so the contact is pushed out of the connector. Be sure to maintain constant pressure on the tool handle when pressing the rear plunger.

**4. TOOL CERTIFICATION**

The tool listed in this instruction sheet should be certified with the information provided in Figure 2. We recommend that you inspect the tool immediately upon arrival in your factory, and at regularly scheduled intervals, to ensure that the tool has not been damaged during handling.

Additional tools can be purchased from:

AMP Incorporated  
 Eisenhower Boulevard  
 Harrisburg, Pennsylvania 17105