

# Skywire 4G LTE

## Embedded Cellular Modem

Add robust cellular connectivity to your M2M devices without the cost, delay, and hassle of federal and carrier certifications. Extensive experience in designing and building embedded product solutions makes the NimbeLink Skywire™ embedded cellular modem the smallest and first to market with LTE technology. Its U.FL port ensures antenna flexibility. It complies with the popular XBEE interface standard and supports LTE, HSPA+, and UMTS communication, minimizing costs of hardware and network access. And Verizon's commitment to the LTE network helps ensure the longest product life.

The NimbeLink Skywire™ modem is available with bundled data plans from leading cellular carriers. The current version supports Verizon's network. Other products in the lineup include GSM and CDMA 1xRTT, and our solutions let you quickly, easily, and economically incorporate fully-compliant cellular connectivity into devices without having to apply for certification.

Take the complexity out of designing cellular M2M solutions.

NimbeLink.™  
Smart. Simple. Cellular.

### Features:

- Industry smallest
- U.FL port for antenna flexibility
- XBEE Form Factor

### Advantages:

- FCC & Verizon OD Certified
- Longest network life
- 100Mbps download/50Mbps upload
- Improved reception with RX diversity
- GPS+GLONASS option
- Bundled data plans available

#### Product/Solution Brief

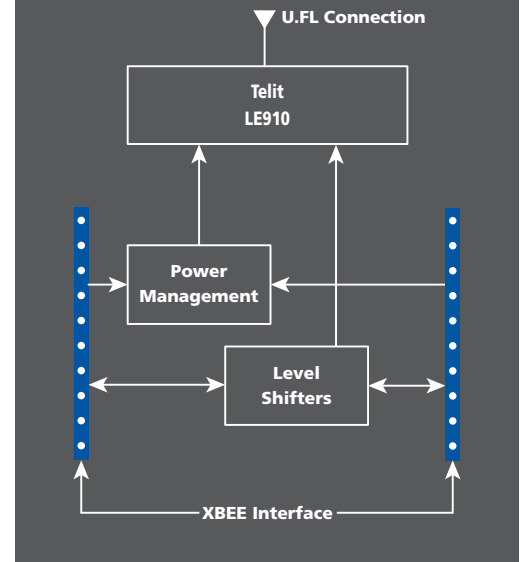


Part Numbers	Description
NL-SW-LTE-TSVG	LTE without Fallback, GPS, GLONASS, Verizon
NL-SW-LTE-TEUG	LTE with HSPA+ Fallback, GPS, GLONASS, EU
NL-SW-LTE-TNAG	LTE with HSPA+ Fallback, GPS, GLONASS, AT&T

## Technical Specifications

<b>Power</b> Active call	750mA
Normal	29mA
Power saving	1.1mA
Input voltage	3.5V - 4.3V
I / O voltage	1.65V - 5.5V
Temperature range	-40C to +85C
Dimensions	29mm x 33mm x 6.5mm

## Block Diagram



## Contact a NimbeLink Sales Professional

612-285-3433

## Email Us

Sales@NimbeLink.com

## Online

www.NimbeLink.com

