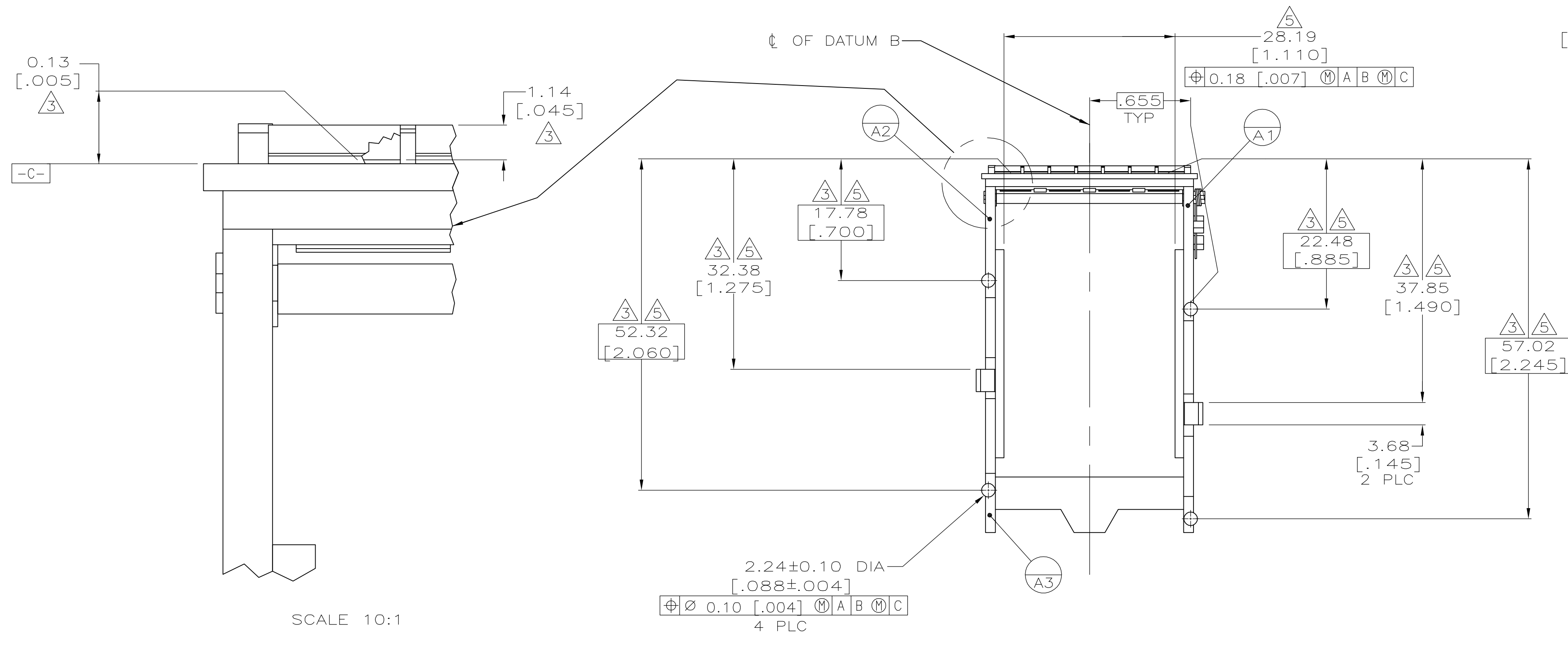
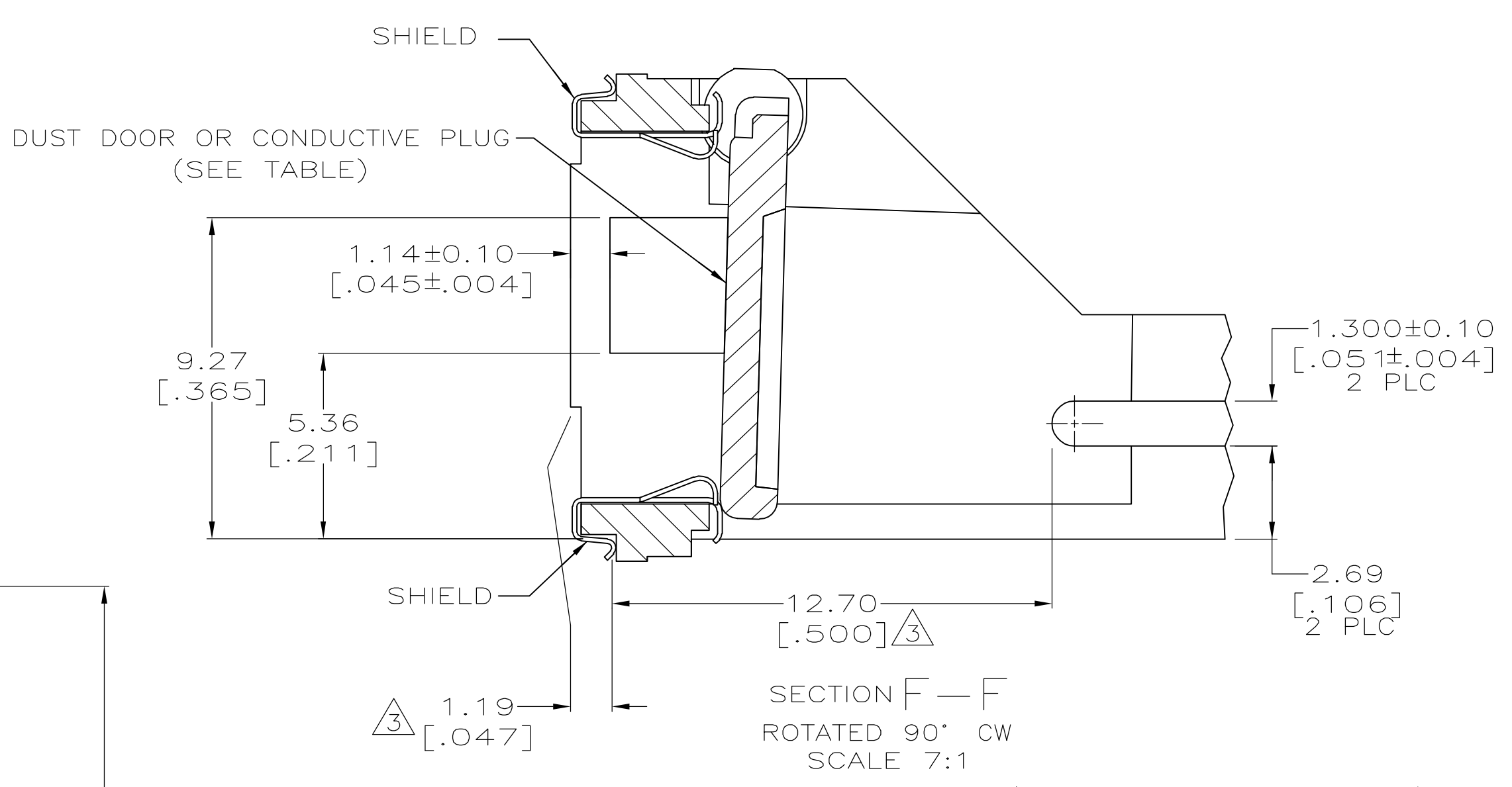
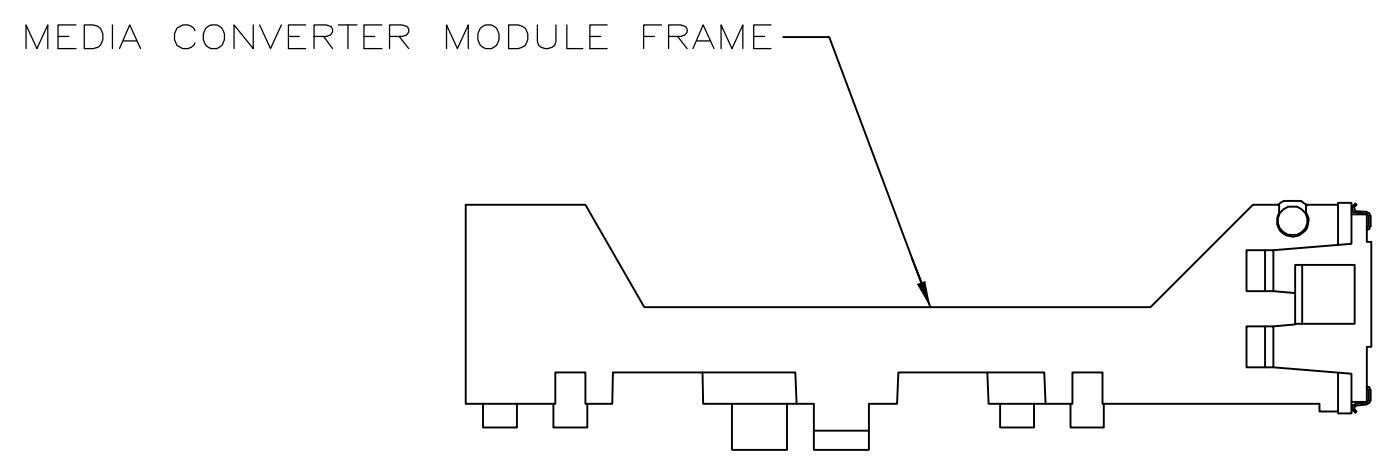
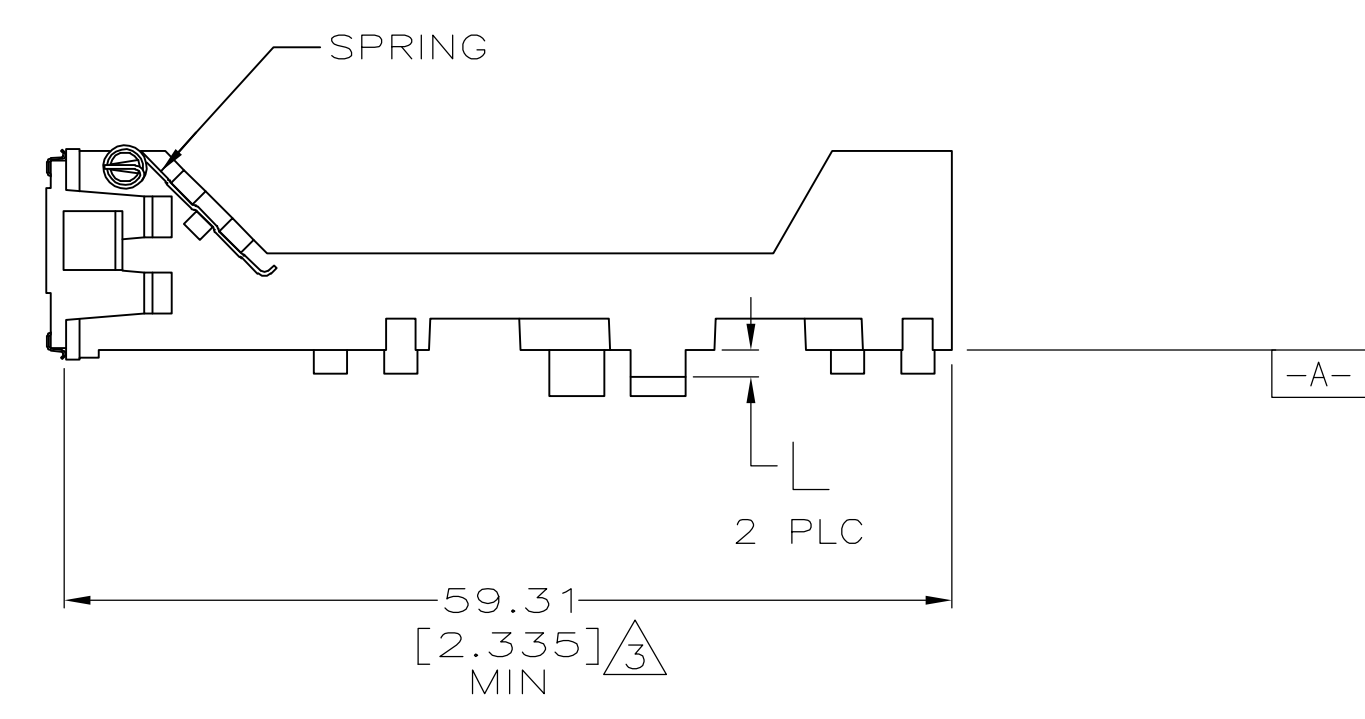
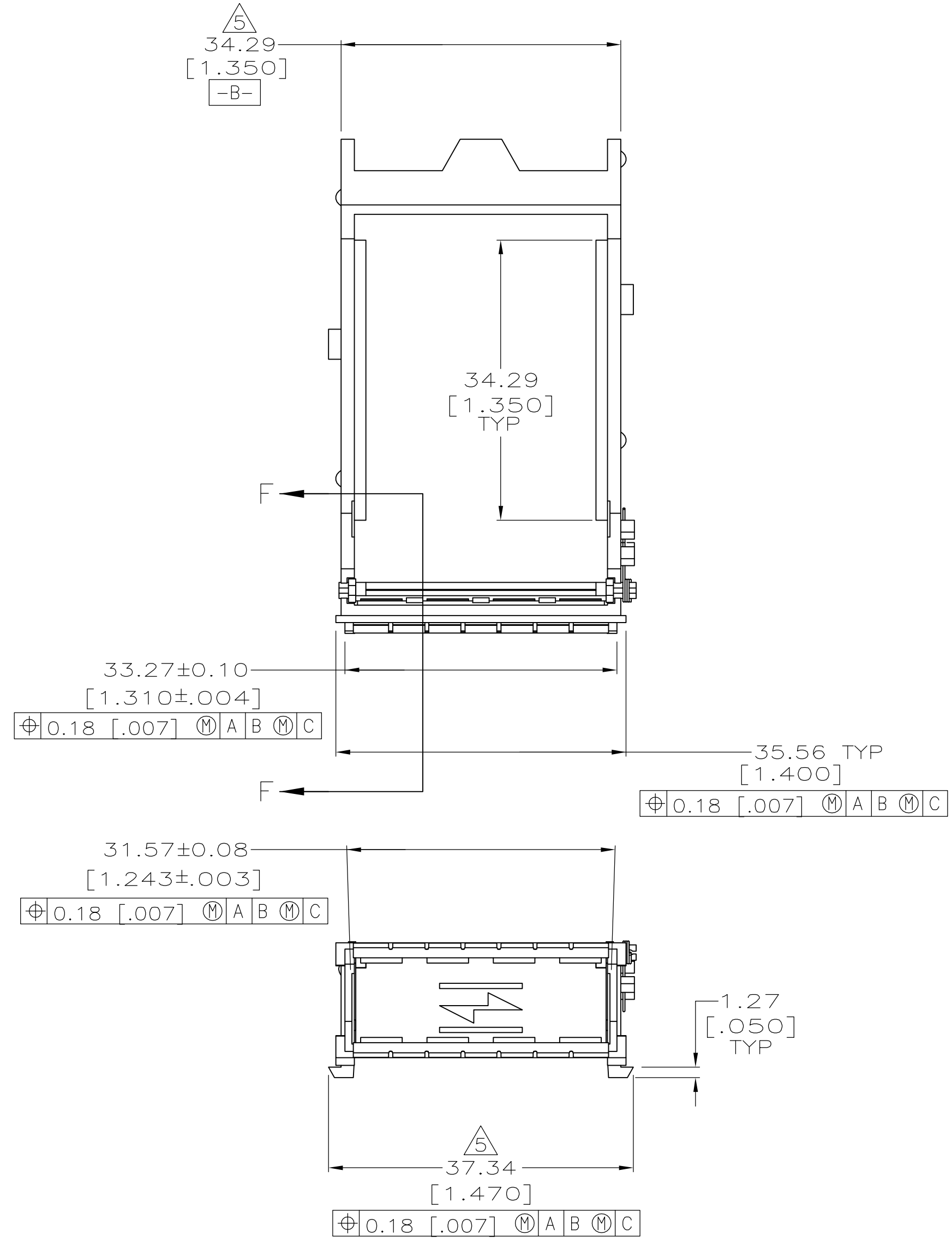


LOC		DIST		REVISIONS			
P	LTR	DESCRIPTION	DATE	OWN	APVD		
T1		REVISED PER ECO-05-009847	10FEB06	BM	SS		



OBSOLETE	CONDUCTIVE PLUG	2.26±0.05 [.089±.002]	1-787663-4
OBSOLETE	CONDUCTIVE PLUG	2.77±0.05 [.109±.002]	1-787663-3
OBSOLETE	CONDUCTIVE PLUG	1.80±0.05 [.071±.002]	1-787663-2
OBSOLETE	NO DOOR OR PLUG	2.26±0.05 [.089±.002]	1-787663-1
OBSOLETE	NO DOOR OR PLUG	2.77±0.05 [.109±.002]	1-787663-0
OBSOLETE	NO DOOR OR PLUG	1.80±0.05 [.071±.002]	787663-9
OBSOLETE	PLASTIC DOOR	2.26±0.05 [.089±.002]	787663-8
OBSOLETE	PLASTIC DOOR	2.77±0.05 [.109±.002]	787663-7
OBSOLETE	PLASTIC DOOR	1.80±0.05 [.071±.002]	787663-6
	METAL DOOR	2.26±0.05 [.089±.002]	787663-5
	METAL DOOR	2.77±0.05 [.109±.002]	787663-4
	METAL DOOR	1.80±0.05 [.071±.002]	787663-3
OBSOLETE	METAL DOOR	2.77±0.05 [.109±.002]	787663-2
OBSOLETE	METAL DOOR	1.80±0.05 [.071±.002]	787663-1
	DUST DOOR OR CONDUCTIVE PLUG		L
			PART NUMBER

THIS DRAWING IS A CONTROLLED DOCUMENT. DWN: COBERMAN 11 APR 96
 CHK: R. STONE 15 APR 96
 APVD: J. SWANK 17 APR 96

tyco Electronics Tyco Electronics Corporation
 Harrisburg, PA 17105-3608

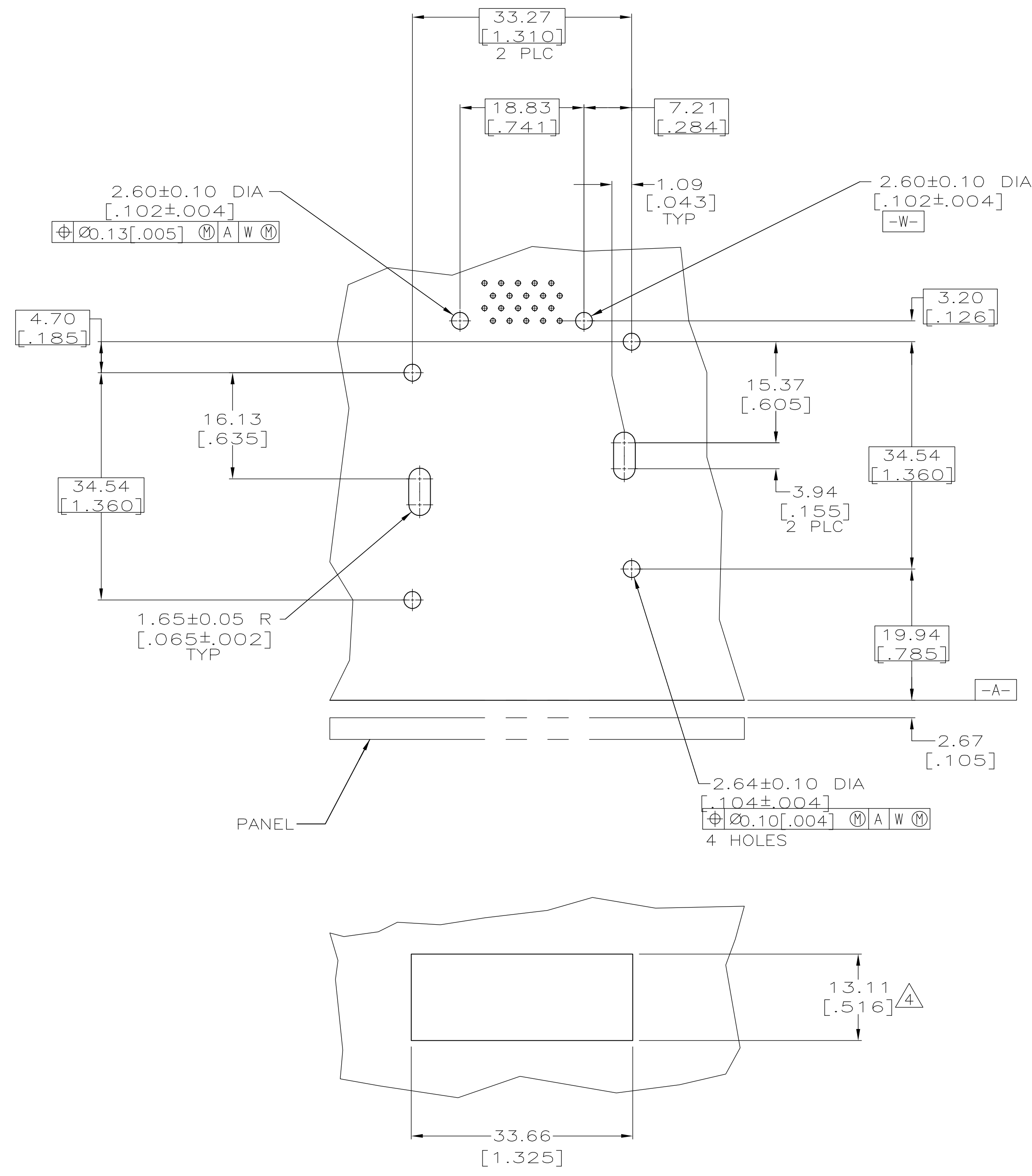
NAME: GUIDE ASSEMBLY, MEDIA CONVERTER MODULE, CHAMP BLINDMATE

DIMENSIONS:	TOLERANCES UNLESS OTHERWISE SPECIFIED:	SIZE	CAGE CODE	DRAWING NO	RESTRICTED TO
mm (INCHES)	0 PLC ± -	A1	00779	C=787663	-
	1 PLC ± -				
	2 PLC ± 0.13 [.005]				
	3 PLC ± -				
	4 PLC ± -				
	ANGLES ± -				

MATERIAL: FINISH: WEIGHT: SCALE: 2:1 SHEET 1 OF 2 REV T1

THIS DRAWING IS UNPUBLISHED. RELEASED FOR PUBLICATION
 © COPYRIGHT BY TYCO ELECTRONICS CORPORATION. ALL RIGHTS RESERVED.

LOC		DIST		REVISIONS			
P	LTR	DATE	DWN	APVD	DESCRIPTION		
GP	00				SEE SHEET 1		



RECOMMENDED HOST CARD FOOTPRINT/PANEL CUTOUT

THIS DRAWING IS A CONTROLLED DOCUMENT.		DWN C.OBERMAN 11 APR 96	 Tyco Electronics Corporation Harrisburg, PA 17105-3608
DIMENSIONS: mm [INCHES]		CHK R.STONE 15 APR 96	
TOLERANCES UNLESS OTHERWISE SPECIFIED:		APVD J.SWANK 17 APR 96	NAME
0 PLC ± -	1 PLC ± -	PRODUCT SPEC	GUIDE ASSEMBLY, MEDIA
2 PLC ± 0.13 [.005]	3 PLC ± -	APPLICATION SPEC	CONVERTER MODULE, CHAMP BLINDMATE
4 PLC ± -	ANGLES ± -	WEIGHT	RESTRICTED TO
MATERIAL	FINISH	SIZE A1	CAGE CODE 00779
CUSTOMER DRAWING		DRAWING NO 787663	SCALE 2:1
		SHEET 2	REV T1