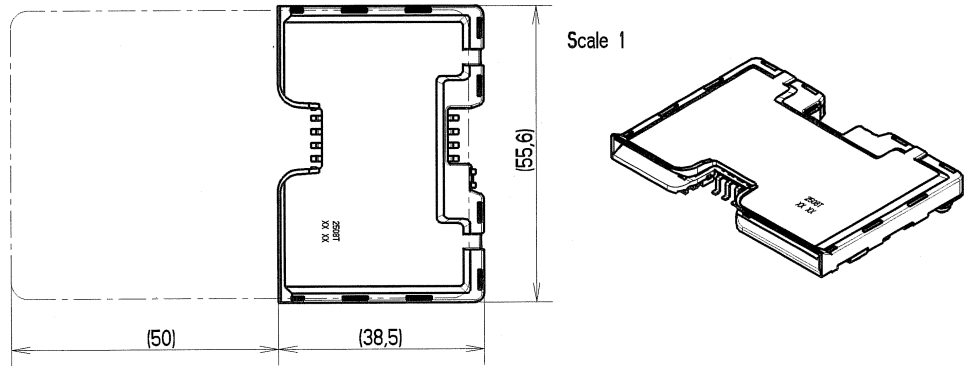
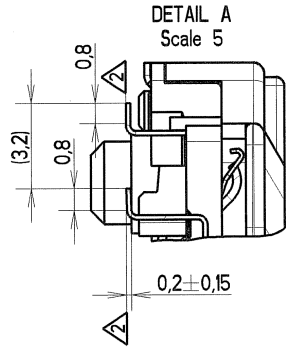
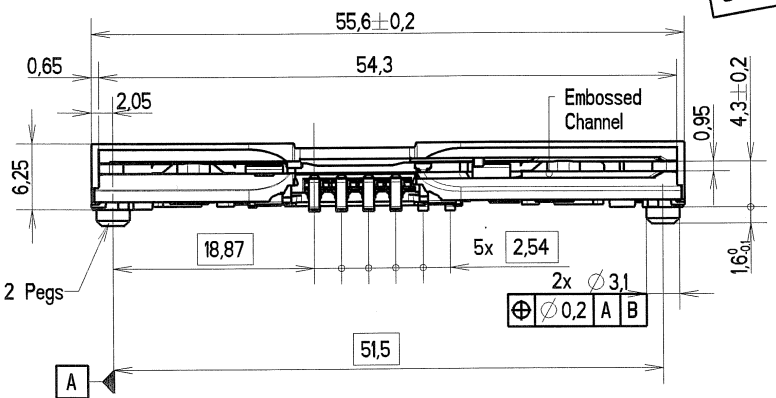
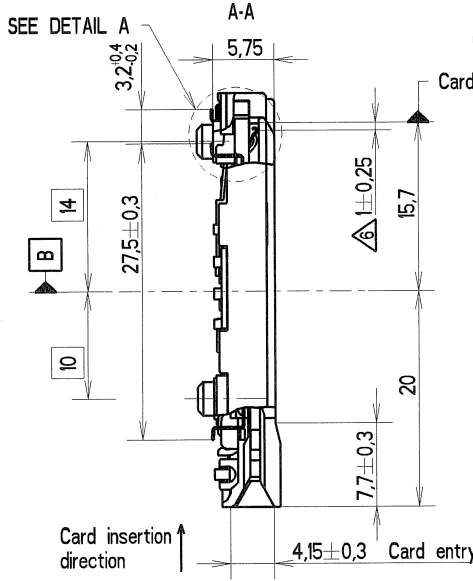
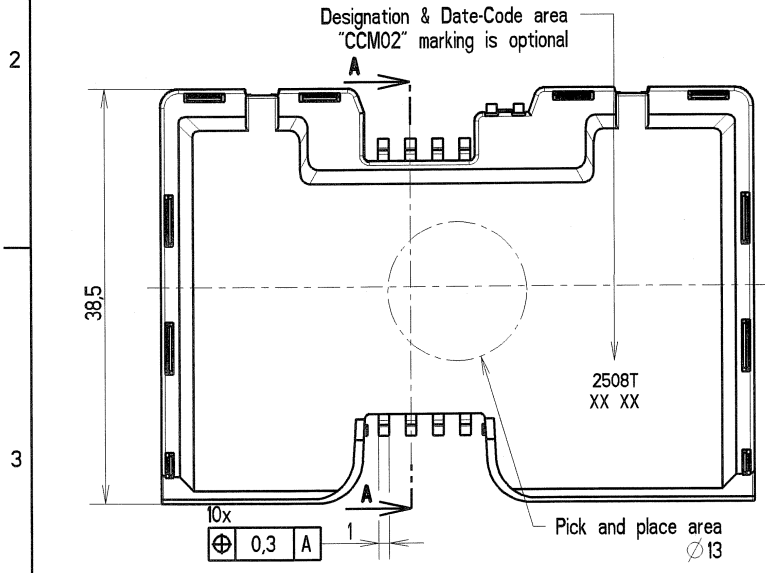
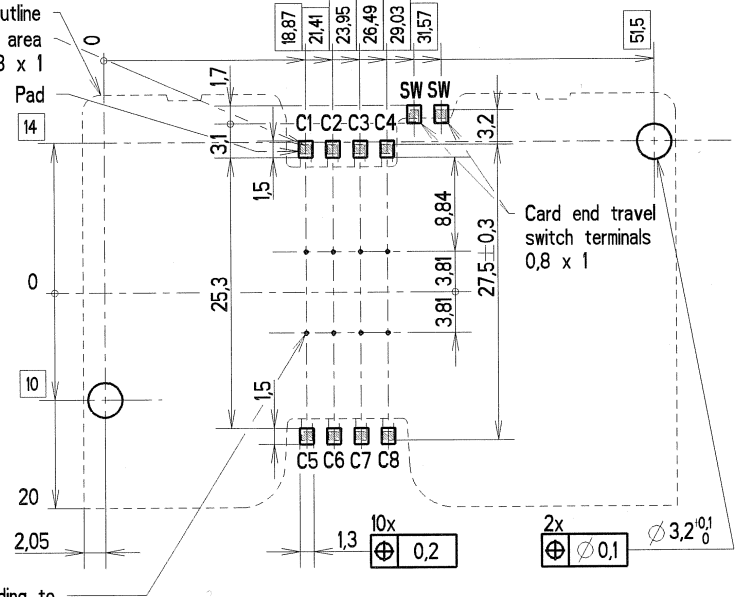


SYSTEM CONFIDENTIAL

REV.	N° DCR	NATURE DE LA MODIFICATION	DATE	VISA
C	ECR-1410	Marking deleted	25/03/2008	VP
D	ECR-2536	Plastic cover changed	16/07/2008	C.D



RECOMMENDED PC BOARD LAYOUT
(Component side)



Contact location according to
ISO/IEC 7816-2

MATIERE		TRAITEMENT			PROTECTION	
SAUF INDIQUE : -COTES DONNEES AVANT PROTECTION -BAVURES ET ARETES VIVES SUPPRIMEES		TOL. LINEAIRE	± 0,1	TOL. ANGULAIRE	± 2 °	DIMENSIONS CRITIQUES
DESSINE		Y.PIZARD	DATE	28-07-05	ANALYSE	Y
VERIFIE		G.PINON	DATE	16-07-08	TAB. FAM.	Y
APPROUVE		J.HEBRAS	DATE	16-07-08	PROVE	Y
REPLACE		DESIGNATION		LANGAGE		E
G&K C&K Components		PROJECTION 1-ER DIEDRE		ECHELLE		2
BP 359 - 39105 Dole - FRANCE		TAILLE		FEUILLE	NUMERO	REV
		A3		1 / 1	CU	D

CCM02-2508LFT
2x4 contacts SMT + switch NO
2 pegs
030288Y2508

CE PLAN EST LA PROPRIETE DE C&K COMPONENTS SAS ET NE PEUT ETRE REPRODUIT OU COMMUNIQUE SANS SON AUTORISATION

- Notes :
- 1 - Termination to PCB : SMT reflow soldering Temperature/time profile according to : C&K PS-LF-001 specification. Since there are no boardlocks, the connector must be held in place on the PCB across the top face of the cover.
 - 2 - Level of each contact tail compared to the nearest plastic stand-off. Coplanarity of metal soldering surfaces : 0,15 mm.
 - 3 - Recommendation for solder paste thickness > 0,2 mm.
 - 4 - 2,5 microns min tin plating on contact terminal areas and 0,1 microns min gold plating on switch terminal areas.
 - 5 - Contacts forces :
 - max 0,5 N per contact with max. card thickness.
 - min 0,2 N per contact with min. card thickness.

- 6 - Card end travel switch NO activates when the sliding card is 1 mm from the card stop.
- 7 - For packaging on tray, see document : cu 030278Y0041.
- 8 - In case of customer accessories integration requesting an interface with CCM, please ask C&K for a 3D model.

A B C D E F