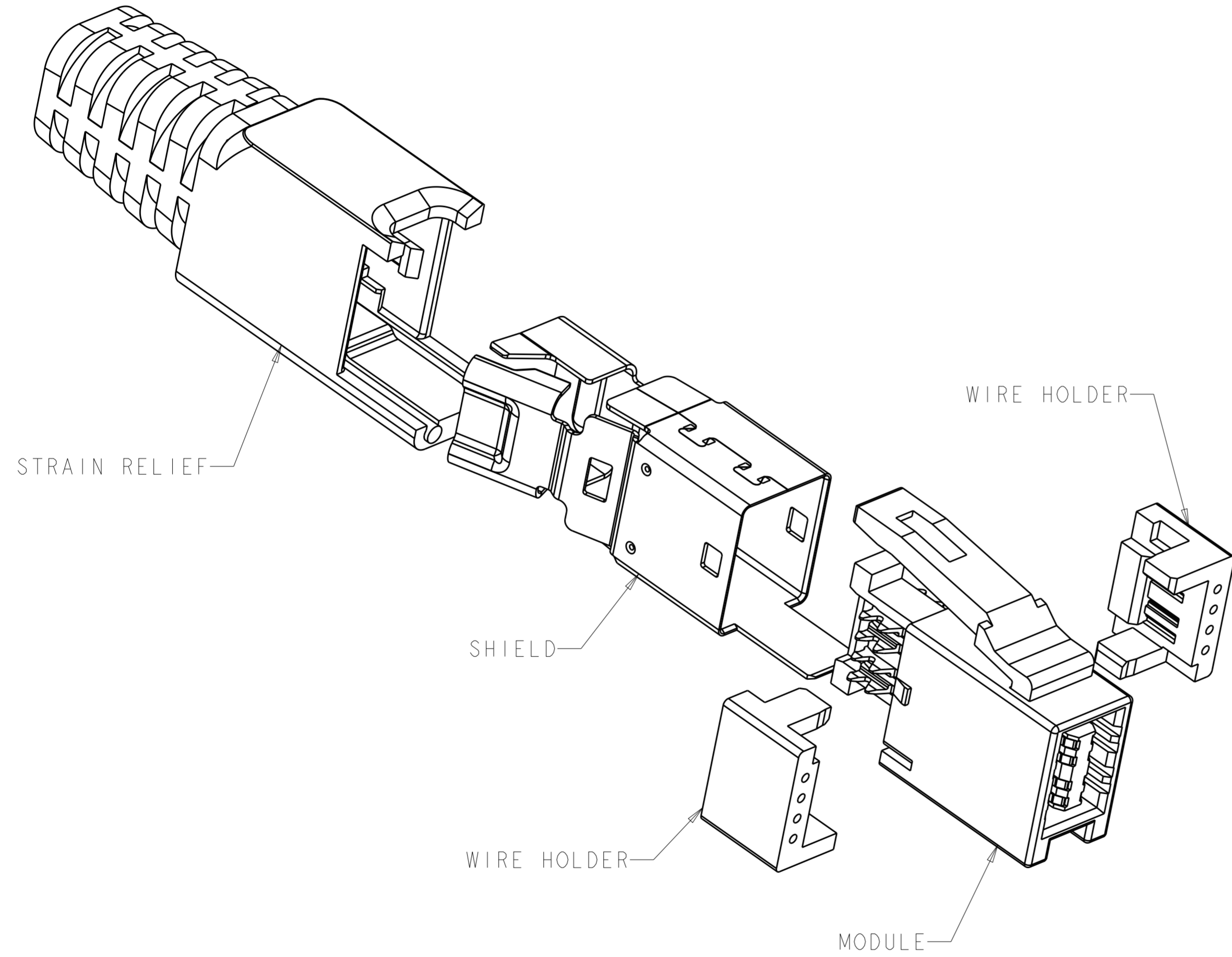


THIS DRAWING IS UNPUBLISHED. RELEASED FOR PUBLICATION 20
 © COPYRIGHT 20 BY - ALL RIGHTS RESERVED.

LOC	DIST	REVISIONS					
AG	00	P	LTR	DESCRIPTION	DATE	DWN	APVD
		A		ECO-14-008111	29MAY2014	LL	SH



- 1. MATERIAL :
 MODULE HOUSING AND COVERS: POLYCARBONATE, CLEAR.
 MODULE CONTACTS: BRASS WITH 0.076µm MIN GOLD OVER
 0.68µm PALLADIUM-NICKEL ON MATING INTERFACE
 OVER 1.27µm MIN NICKEL.
 SHIELD: STAINLESS STEEL, PASSIVATE.
 STRAIN RELIEF: ELASTOMER POLYOLEFIN.
 LIGHTPIPE: POLYCARBONATE, CLEAR.
 TETHER: NYLON 6/6.
- 2. PRODUCT FOR USE WITH QUABBIN CABLE P/N 5400 OR
 OTHER CAT5e QUALIFIED CABLE WITH THE FOLLOWING
 MECHANICAL CONSTRAINTS:
 CABLE ONLY WITH FOIL (FTP)
 CENTER CONDUCTOR- 26 AWG STRANDED
 PRIMARY INSULATION DIAMETER 0.89 TO 0.99mm
 MAX JACKET O.D. - 5.60MM
- 3. REFER TO APPLICATION SPECIFICATION 114-13235 FOR
 COMPLETE ASSEMBLY INSTRUCTIONS
- 4. PRODUCT TO BE TERMINATED USING HAND TOOL
 P/N 2031734-1
- 5. BULK PACKAGING

5	2170497-1	2170497-2
1	1	2170497-1
QTY PER KIT	MATERIAL	PART NUMBER

THIS DRAWING IS A CONTROLLED DOCUMENT.		DWN DAVID SHEN 4JAN2013	TE Connectivity			
		CHK SANDERS YAN 4JAN2013				
		APVD ALEX CAI 4JAN2013				
		NAME SHIELDED PLUG KIT RJ POINT FIVE				
DIMENSIONS:	TOLERANCES UNLESS OTHERWISE SPECIFIED:	PRODUCT SPEC	SIZE	CAGE CODE	DRAWING NO	RESTRICTED TO
mm	0 PLC ± 1 PLC ± 2 PLC ± 3 PLC ± 4 PLC ± ANGLES ± FINISH	108-60097	A2	00779	C-2170497	-
MATERIAL		APPLICATION SPEC	SCALE	SHEET	OF	REV
		114-13235	1:1	1	2	A
		WEIGHT	Customer Drawing			

THIS DRAWING IS UNPUBLISHED. RELEASED FOR PUBLICATION 20
 © COPYRIGHT 20 BY - ALL RIGHTS RESERVED.

LOC	DIST	REVISIONS					
AG	00	P	LTR	DESCRIPTION	DATE	DWN	APVD
		-		SEE SHEET 1			

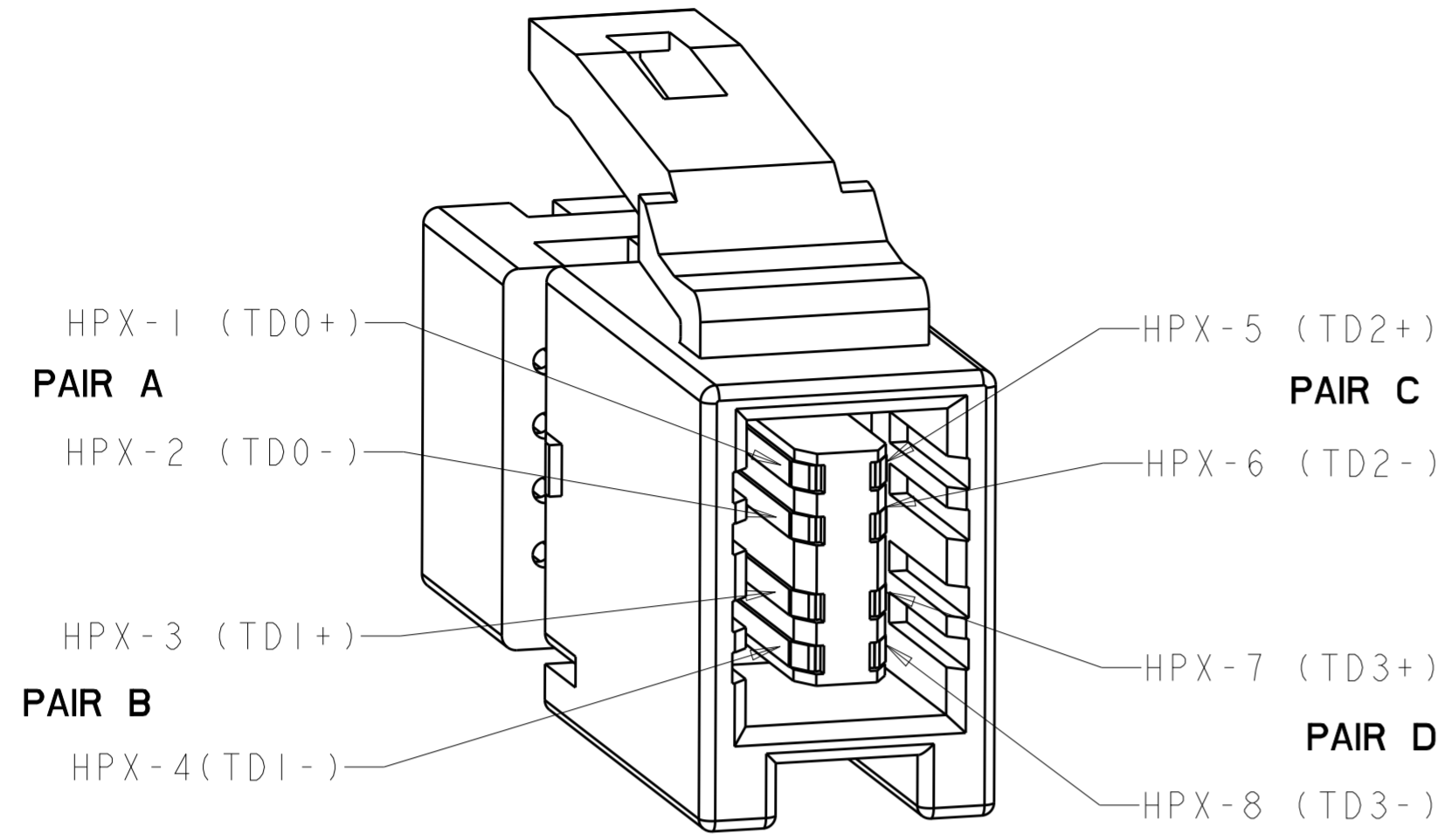


FIGURE 1
 SCALE 8:1

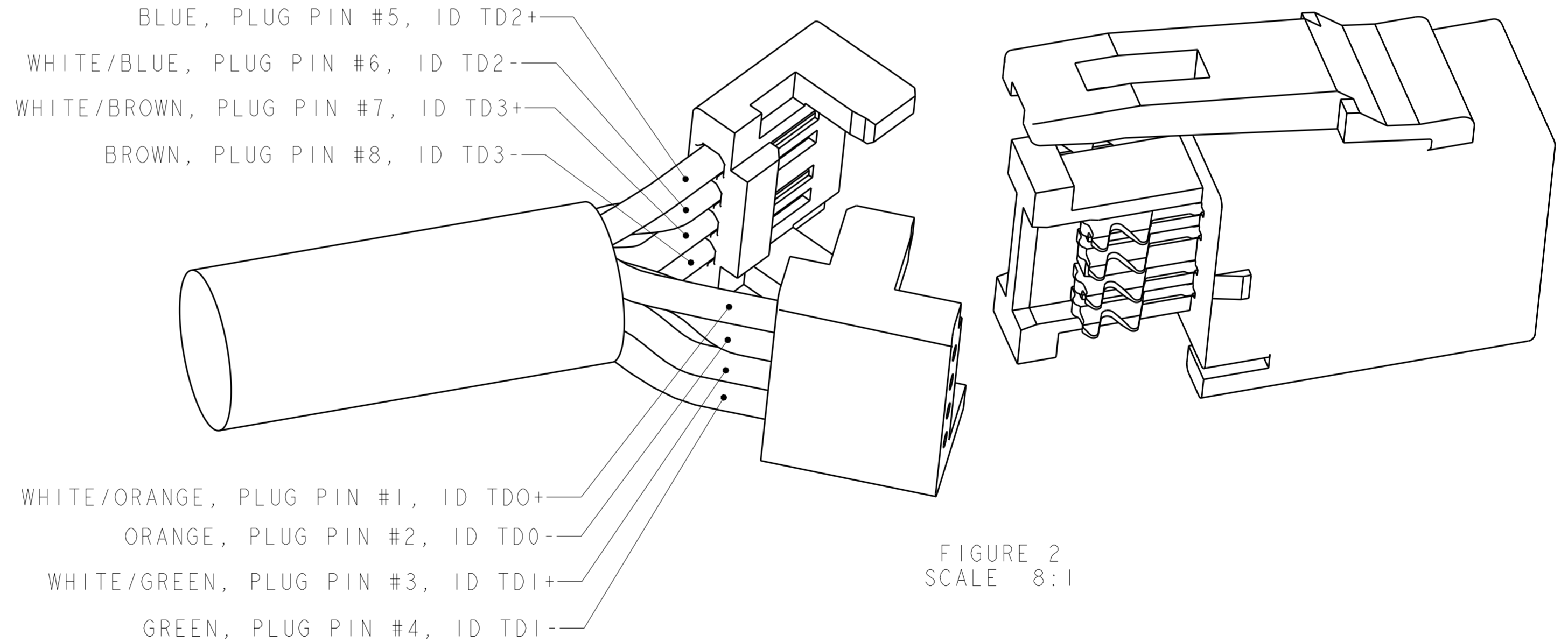


FIGURE 2
 SCALE 8:1

THIS DRAWING IS A CONTROLLED DOCUMENT.		DWN DAVID SHEN 4 JAN 2013	STE TE Connectivity	
		CHK SANDERS YAN 4 JAN 2013		
		APVD ALEX CAI 4 JAN 2013	NAME SHIELDED PLUG KIT RJ POINT FIVE	
DIMENSIONS: mm		PRODUCT SPEC 108-60097	SIZE CAGE CODE DRAWING NO RESTRICTED TO	
TOLERANCES UNLESS OTHERWISE SPECIFIED:		APPLICATION SPEC 114-13235	A200779 C-2170497	
MATERIAL		WEIGHT	SCALE 1:1 SHEET 2 OF 2 REV A	
		Customer Drawing		