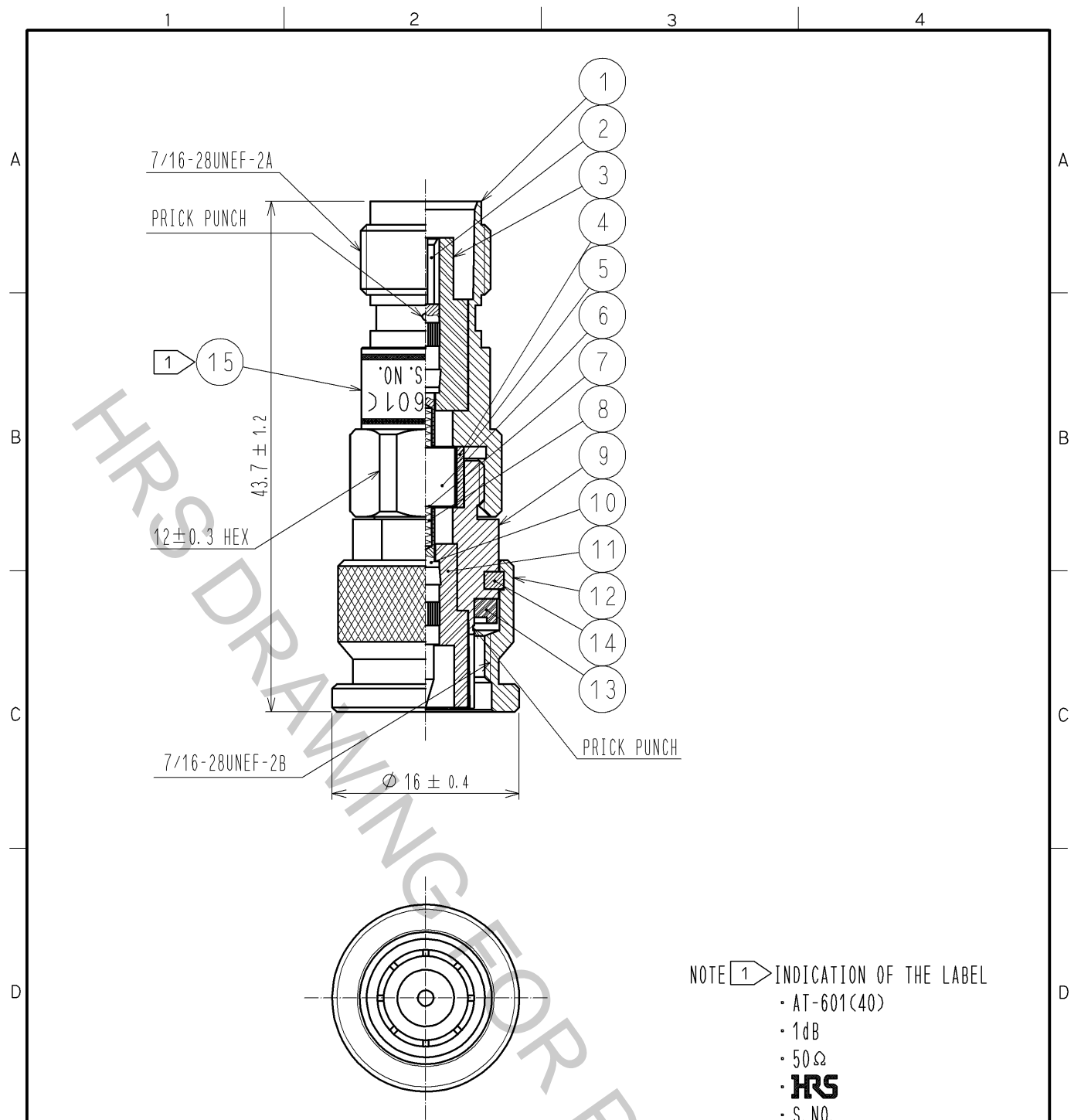


Aug.1.2018 Copyright 2018 HIROSE ELECTRIC CO., LTD. All Rights Reserved.
 In case that the application demands a high level of reliability, such as automotive,
 please contact a company representative for further information.



NOTE 1 INDICATION OF THE LABEL
 • AT-601(40)
 • 1dB
 • 50Ω
 • **HRS**
 • S. NO.

8	PIANO WIRE						
7	BERYLLIUM COPPER	GOLD PLATING	15		LABEL		
6	ALUMINA		14	PHOSPHOR BRONZE	NICKEL PLATING		
5	BERYLLIUM COPPER	GOLD PLATING	13	SILICON RUBBER			
4	BRASS	NICKEL PLATING	12	BRASS	NICKEL PLATING		
3	PTFE		11	PTFE			
2	BERYLLIUM COPPER	GOLD PLATING	10	BRASS	GOLD PLATING		
1	BRASS	NICKEL PLATING	9	BRASS	NICKEL PLATING		
NO.	MATERIAL	FINISH	REMARKS	NO.	MATERIAL	FINISH	REMARKS

UNITS mm		SCALE 2 : 1	COUNT 	DESCRIPTION OF REVISIONS	DESIGNED	CHECKED	DATE
HRS HIROSE ELECTRIC CO., LTD.		APPROVED : MT. SHIBUTANI 12. 01. 31	DRAWING NO. EDC4-180503-01				
		CHECKED : KY. SHIMIZU 12. 01. 31	PART NO. AT-601(40)				
		DESIGNED : TK. SAWAGUCHI 12. 01. 30	CODE NO. CL354-0250-4-40				
		DRAWN : TK. SAWAGUCHI 12. 01. 30		1/1			