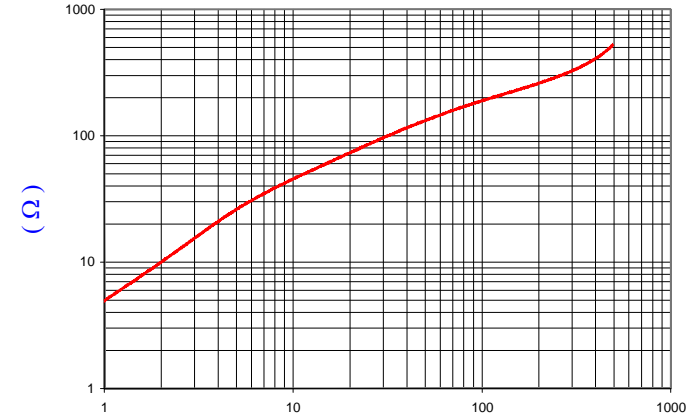


IMPEDANCE (Z)			
Frequency	25 MHz	100 MHz	300 MHz
Nominal (REF)	75 Ω	170 Ω	320 Ω
Minimum	- Ω	136 Ω	- Ω

Z vs. FREQUENCY
(REF. ONLY)

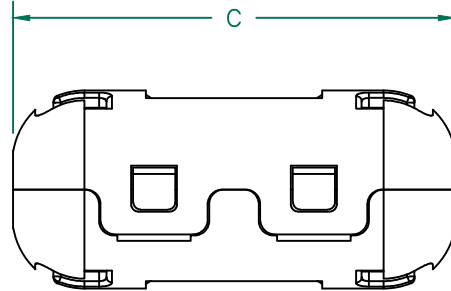
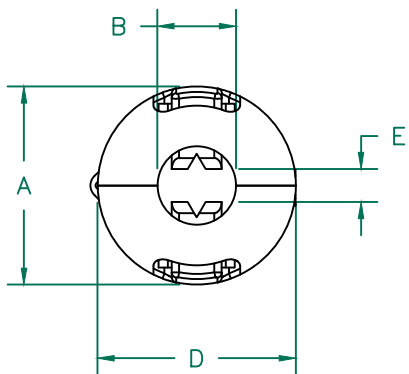


FERRITE CORE DIMENSIONS:

A	9.96 [.392]	\pm	0.15 [.006]
B	4.88 [.192]	\pm	0.13 [.005]
C	20.50 [.807]	\pm	0.25 [.010]
D	4.14 [.163]	\pm	0.13 [.005]

UNCONTROLLED DOCUMENT

RoHS



FREQUENCY (MHz)

AGILENT E4991A Impedance/Material Analyzer
HP 16092A-Test Fixture REF 3219

NOTES:

1. ASSEMBLED PART #: 28A0392-0A2
2. CASE COLOR: BLACK
3. CASE FLAMMABILITY RATING: UL94 V-2.
4. CASE MATERIAL: Halogen Free Nylon
5. COSMETIC SPECIFICATION REFER TO WI-QA-038.

CASE DIMENSIONS:

A	13.72 [.540]	\pm	REF.
B	5.44 [.214]	\pm	REF.
C	30.56 [1.203]	\pm	REF.
D	13.72 [.540]	\pm	REF.
E	2.29 [.090]	\pm	REF.

DIMENSIONS ARE IN mm [INCHES].				This print is the property of Laird Tech. and is loaned in confidence subject to return upon request and with the understanding that no copies shall be made without the written consent of Laird Tech. All rights to design or invention are reserved.		Laird	
K	UPDATE COMPANY LOGO, ADD NOTE 5	08/21/14	QIU	REV	K	PART TYPE: FERRITE SNAP ON	DRAWN BY: JRK
J	UPDATED NOTE 3	09/15/10	JUN	PROJECT/PART NUMBER:	28A0392-0A2		
H	UPDATE LOGO ADD NOTES 3&4	01/26/09	JRK	DATE:	06/25/04	SCALE:	NTS
G	UPDATE 100MHz MINIMUM VALUE	06/26/07	TMB	CAD #	28A0392-0A2-K	TOOL #	-
F	UPDATE COMPANY LOGO	04/17/07	TMB	MATERIAL:	Ferrite		
E	ADD DIMENSION E TO CASE CALLOUT	02/05/07	TMB	DATE:	06/25/04	SCALE:	NTS
D	CHANGE CASE TOLERANCES TO REF REMOVE CORE & CASE REF REVISE NOTES	07/27/06	TMB	TOOL #	-	MATERIAL:	Ferrite
C	UPDATE CORE AND CASE DESIGN REVISE NOTES	09/23/05	TMB	DATE:	06/25/04	SCALE:	NTS
REV	DESCRIPTION	DATE	INT	CAD #	28A0392-0A2-K	TOOL #	-