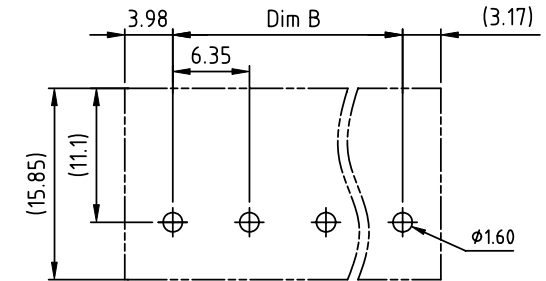
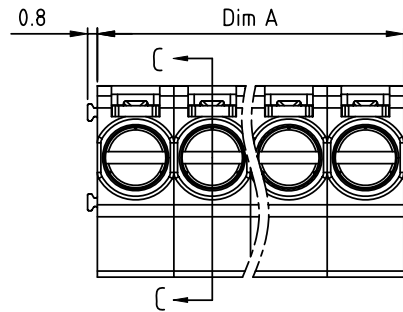
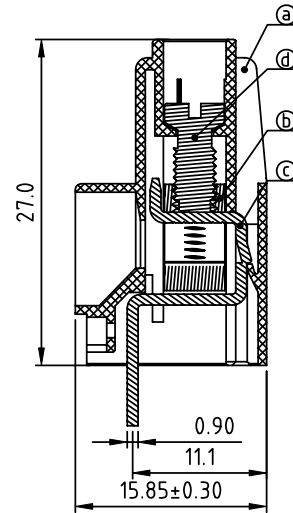
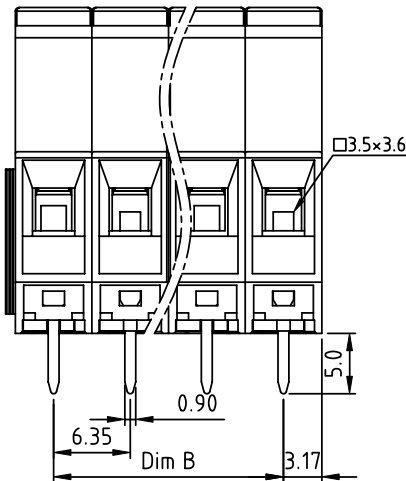


PRODUCT NUMBER	PITCH
KPxx01x200J0G	6.35 mm



RECOMMENDED P.C.B LAYOUT
TOP VIEW



SECTION C-C

Material:

- Item ① Terminal housing: Thermoplastic (UL 94V-0)
- Item ② Clamp: Brass, Ni plated
- Item ③ Solder pin (Front single row): Copper Tin plated
- Item ④ Terminal screw: Steel, Zinc plating"-slot type

Electrical cULs

- Voltage rating: 300VAC
- Current rating: 30A
- Wire range:
- Solid wire(AWG): 10-24
- Stranded wire(AWG): 10-24
- Torque(Lb-In): 5.3
- Screw: M3.5
- Wire strip length: 8-9mm
- Withstanding Voltage: 1.6KV
- Operating temperature: -40°C to +115°C
- Soldering temperature: 260°C±5°C/5 Sec
- Safety Approval:

PART NO.: KP xx 0 1 x 2 00J0 G

N = Number of poles
Dim A=Nx6.35
Dim B=(N-1)x6.35

Poles	Dim A	Dim B
1p	±0.10	
2-6p	±0.20	±0.15
7-12p	±0.30	±0.25
13-16p	±0.40	±0.35

End Stackable	Body Color	RoHS compliant
0	Black (RAL9005)	(lead<4%)
No. of poles	2 Red (RAL3001/D)	In copper Alloy
01 1 poles	3 Orange(RAL2011/P)	
02 2 poles	4 Yellow(RAL1018/A)	
...	5 Green(RAL6018/T)	
16 16 poles	6 Blue (RAL5015/A)	
	8 Grey(RAL7035/D)	
	9 White(RAL1102)	
	C Green(RAL6018/U)	

mat'l. code		surface ASME Y14.5	tolerance ASME Y14.5	projection 	product family TERMINAL BLOCK
ltr	ecn no	dr	date	tolerances unless otherwise specified	title TERMINAL BLOCK
				angles 	MM
				$X \pm 0.5$	scale
				$X.X \pm 0.3$	dwg no KPxx01x200J0G
				$X.XX \pm 0.1$	sheet 1 of 1 size A4
		dr	EVIN ZHONG	041414	
		enr	EVIN ZHONG	041414	
		chr	HANKE FENG	041414	
		appd	SHI JUN	041414	
sheet index	revision	A			type CUSTOMER Drawing
	sheet	1			